



Condair CP3

Änderungen vorbehalten!

Subject to change!

Modifications réservées!

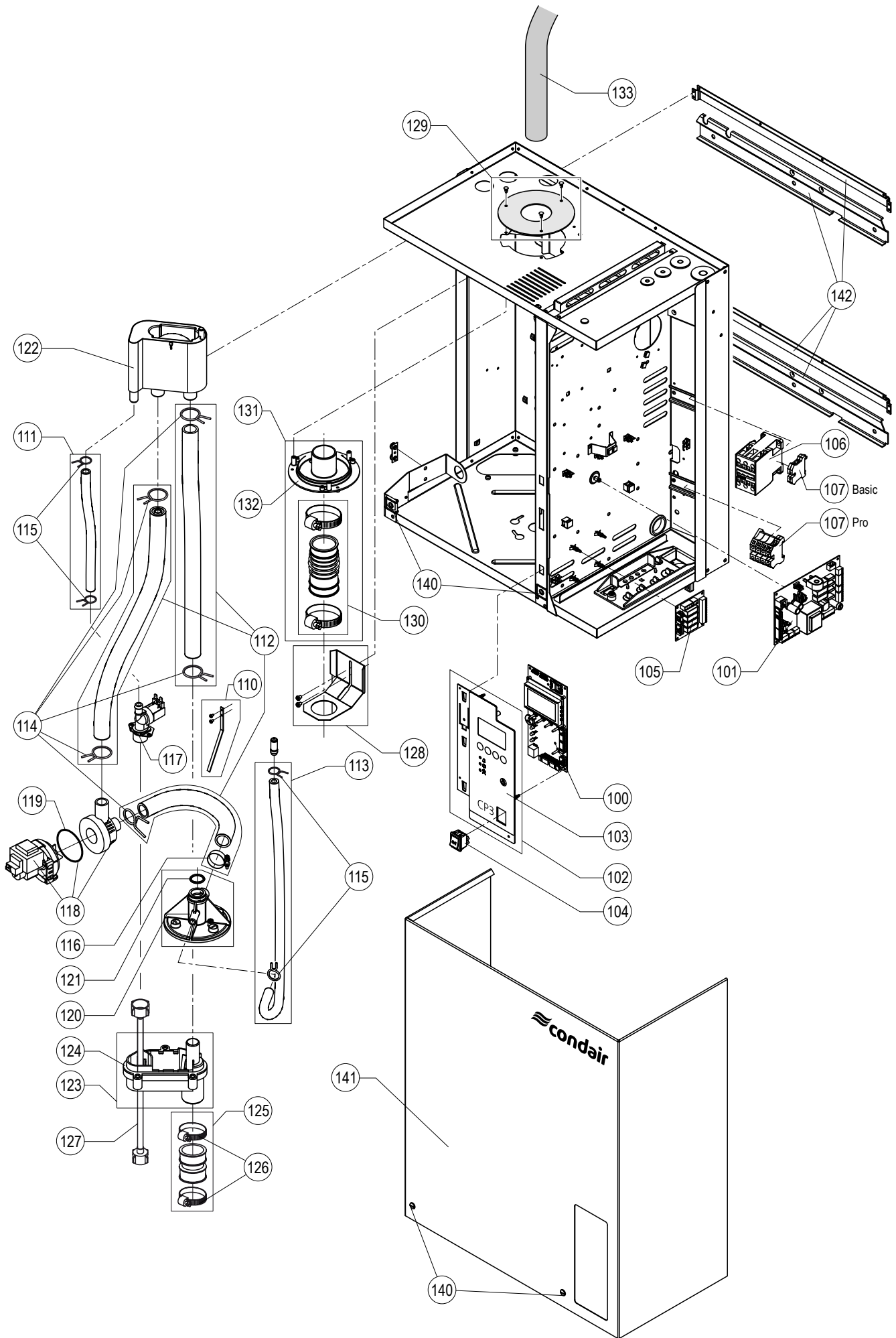
| Pos | Artikel/Article/Article | Heizspannung Heating voltage Tension de chauffage | Basic | | | | | | | | Pro | | | | | | | | Art./SAP-No. | | | |
|-----|--|---|--|---------|---------|---------|---------|---------|---------|---------|---------|---------|---------|---------|---------|---------|---------|---------|--------------|-------|-------|--|
| | | | 230V/1~ | 230V/3~ | 400V/3~ | 230V/3~ | 400V/3~ | 230V/3~ | 400V/3~ | 230V/3~ | 400V/3~ | 230V/1~ | 230V/3~ | 400V/3~ | 230V/3~ | 400V/3~ | 230V/3~ | 400V/3~ | | | | |
| | | | Dampfleistung [kg/h] Steam capacity [kg/h] Capacité de vapeur [kg/h] | 5-8 | 5-8 | 5-8 | 9-15 | 9-15 | 16-21 | 16-25 | 22-30 | 26-45 | 5-8 | 5-8 | 5-8 | 9-15 | 9-15 | 16-21 | | 16-25 | 22-30 | 26-45 |
| 100 | Steuerelektronik Control PCB Unité de commande | | 1 | 1 | 1 | 1 | 1 | 1 | 1 | 1 | 1 | 1 | 1 | 1 | 1 | 1 | 1 | 1 | 1 | 1 | 1 | 2530128 2530130 |
| 101 | Leistungspult Power board Platine de puissance | | 1 | 1 | 1 | 1 | 1 | 1 | 1 | 1 | 1 | 1 | 1 | 1 | 1 | 1 | 1 | 1 | 1 | 1 | 1 | 2530144 |
| 102 | Bedienpanel kpl. Control panel cpl Panneau de commande cpl | | 1 | 1 | 1 | 1 | 1 | 1 | 1 | 1 | 1 | 1 | 1 | 1 | 1 | 1 | 1 | 1 | 1 | 1 | 1 | 2530143 |
| 103 | Folientastatur Keypad Clavier | | 1 | 1 | 1 | 1 | 1 | 1 | 1 | 1 | 1 | 1 | 1 | 1 | 1 | 1 | 1 | 1 | 1 | 1 | 1 | 2530135 |
| 104 | Netzschalter Power switch Interrupteur du réseau | | 1 | 1 | 1 | 1 | 1 | 1 | 1 | 1 | 1 | 1 | 1 | 1 | 1 | 1 | 1 | 1 | 1 | 1 | 1 | 2530137 |
| 105 | Betriebs- und Störungsfernmeldung Remote operation and fault indication Télésignalisation de travail et de dérangement | | x | x | x | x | x | x | x | x | x | x | x | x | x | x | x | x | x | x | x | 2529378 |
| 106 | Schütz 230V, 50/60Hz Contactor 230V, 50/60Hz Contacteur 230V, 50/60Hz | 25 A 50 A 65 A 80 A | 1 | 1 | 1 | 1 | 1 | 1 | 1 | 1 | 1 | 1 | 1 | 1 | 1 | 1 | 1 | 1 | 1 | 1 | 1 | 1115507 1115511 1115809 1117502 |
| 107 | Erdungsklemme Earth terminal Bloc de terre | 10mm ² 16mm ² | 1 | 1 | 1 | 1 | 1 | 1 | 1 | 1 | 1 | 1 | 1 | 1 | 1 | 1 | 1 | 1 | 1 | 1 | 1 | 2530794 2530795 |
| 110 | Erdelektrode Earth electrode Electrode de terre | | 1 | 1 | 1 | 1 | 1 | 1 | 1 | 1 | 1 | 1 | 1 | 1 | 1 | 1 | 1 | 1 | 1 | 1 | 1 | 2530139 |
| 111 | Schlauchset Einlass Hose set inlet Set de tuyau d'alimentation | | 1 | 1 | 1 | 1 | 1 | 1 | 1 | 1 | 1 | 1 | 1 | 1 | 1 | 1 | 1 | 1 | 1 | 1 | 1 | 2530186 2530187 |
| 112 | Schlauchset Pumpe Hose set pump Set de tuyau pompe | | 1 | 1 | 1 | 1 | 1 | 1 | 1 | 1 | 1 | 1 | 1 | 1 | 1 | 1 | 1 | 1 | 1 | 1 | 1 | 2530188 2530189 |
| 113 | Entleerungsschlauch Draining hose Tuyau de vidange | | 1 | 1 | 1 | 1 | 1 | 1 | 1 | 1 | 1 | 1 | 1 | 1 | 1 | 1 | 1 | 1 | 1 | 1 | 1 | 2530190 2530191 |
| 114 | Schlauchklemme ø30.7-31.7, 5 Stk. Hose clamp ø30.7-31.7, 5 pcs Serre-joint pour tuyau ø30.7-31.7, 5 pcs | | x | x | x | x | x | x | x | x | x | x | x | x | x | x | x | x | x | x | x | 2519405 |
| 115 | Schlauchklemme ø17.0-17.5, 5 Stk. Hose clamp ø17.0-17.5, 5 pcs Serre-joint pour tuyau ø17.0-17.5, 5 pcs | | x | x | x | x | x | x | x | x | x | x | x | x | x | x | x | x | x | x | x | 2519407 |
| 116 | Schlauchklemme 30/9, 5 Stk. Hose clamp 30/9, 5 pcs Collier de serrage 30/9, 5 pcs | | x | x | x | x | x | x | x | x | x | x | x | x | x | x | x | x | x | x | x | 2522886 |
| 117 | Einlassventil Inlet valve Vanne de remplissage | 0.5 l/min. 1.2 l/min. 2.5 l/min. | 1 | 1 | 1 | 1 | 1 | 1 | 1 | 1 | 1 | 1 | 1 | 1 | 1 | 1 | 1 | 1 | 1 | 1 | 1 | 2537275 2537276 2537277 |
| 118 | Synchronpumpe kpl. Synchronous pump cpl. Pompe synchrone cpl. | | 1 | 1 | 1 | 1 | 1 | 1 | 1 | 1 | 1 | 1 | 1 | 1 | 1 | 1 | 1 | 1 | 1 | 1 | 1 | 1115532 |
| 119 | Dichtring Pumpengehäuse Gasket for pump housing Joint pour boîtier de pompe | | 1 | 1 | 1 | 1 | 1 | 1 | 1 | 1 | 1 | 1 | 1 | 1 | 1 | 1 | 1 | 1 | 1 | 1 | 1 | 2550469 |
| 120 | Kupplungsmuffe kpl. Coupling sleeve cpl. Manchon d'accouplement cpl. | | 1 | 1 | 1 | 1 | 1 | 1 | 1 | 1 | 1 | 1 | 1 | 1 | 1 | 1 | 1 | 1 | 1 | 1 | 1 | 2530176 |

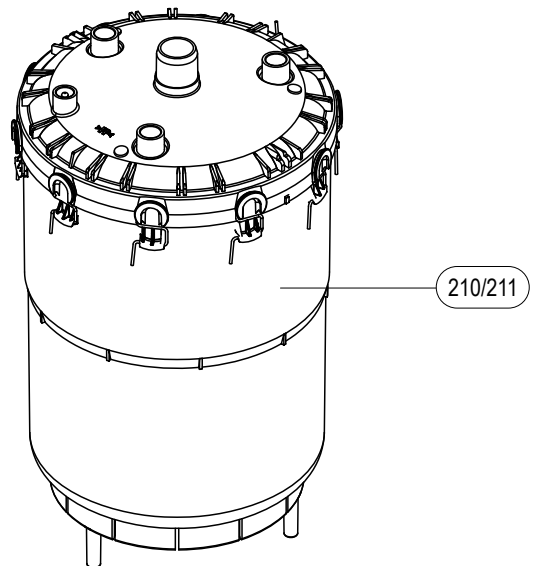
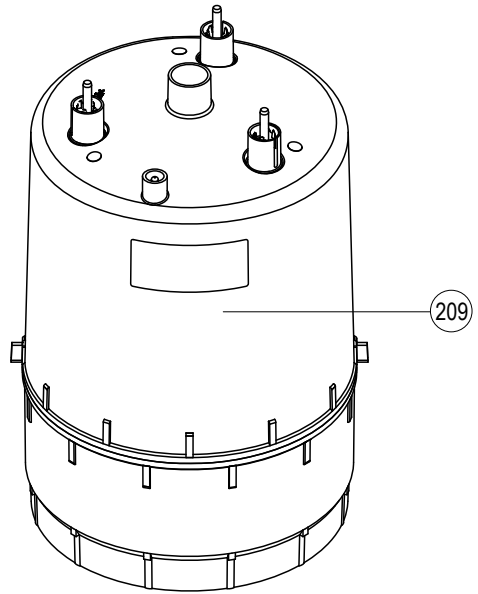
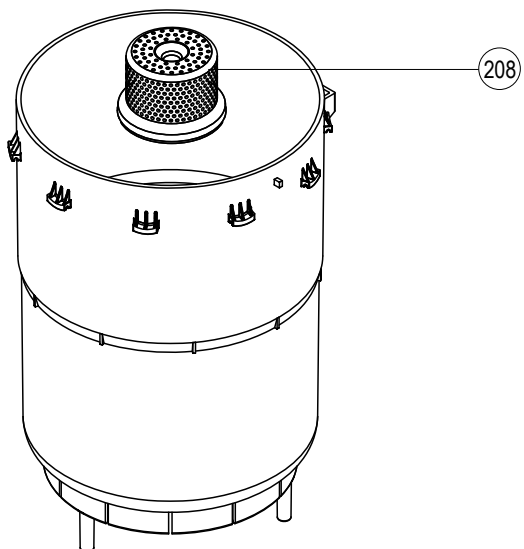
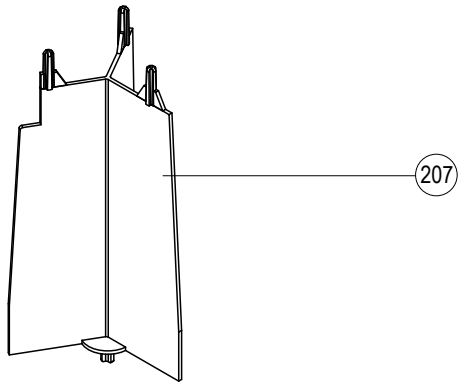
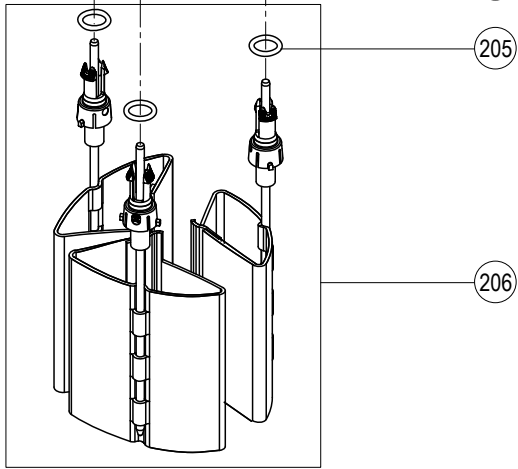
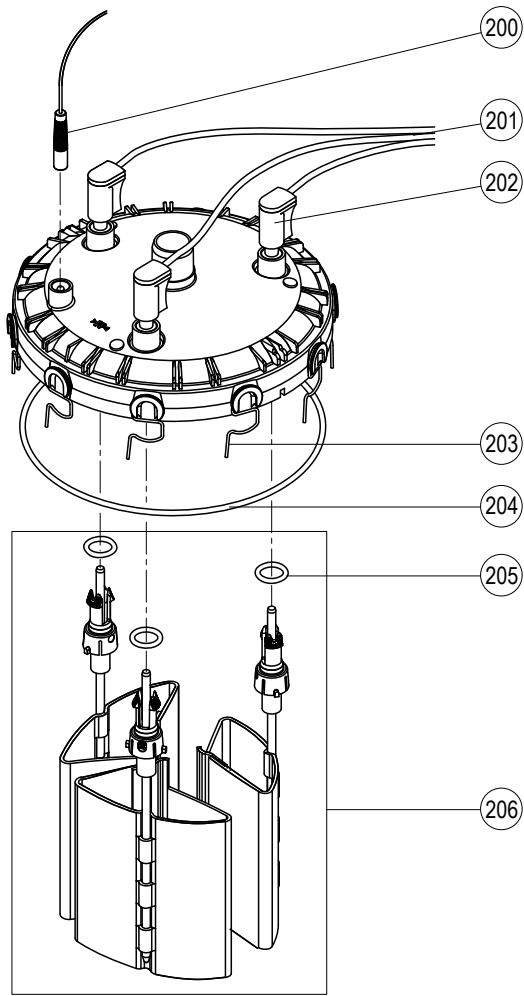
2530231 DE/EN/FR 1005

| Pos | Artikel/Article/Article | Heizspannung Heating voltage Tension de chauffage | Basic | | | | | | | | | | Pro | | | | | | | | | | Art.-/SAP-No. | | | | |
|------|---|---|--|---------|---------|---------|---------|---------|---------|---------|---------|---------|---------|---------|---------|---------|---------|---------|---------|---------|---|---|---------------|---|---|---|---|
| | | | 230V/1~ | 230V/3~ | 400V/3~ | 230V/3~ | 400V/3~ | 230V/3~ | 400V/3~ | 230V/3~ | 400V/3~ | 230V/3~ | 400V/3~ | 230V/1~ | 230V/3~ | 400V/3~ | 230V/3~ | 400V/3~ | 230V/3~ | 400V/3~ | | | | | | | |
| | | | 5-8 | 5-8 | 5-8 | 9-15 | 9-15 | 16-21 | 16-25 | 22-30 | 26-45 | 5-8 | 5-8 | 5-8 | 9-15 | 9-15 | 16-21 | 16-25 | 22-30 | 26-45 | | | | | | | |
| | | | Dampfleistung [kg/h] Steam capacity [kg/h] Capacité de vapeur [kg/h] | | | | | | | | | | | | | | | | | | | | | | | | |
| 121 | O-Ring, 10 Stk. O-ring seal, 10 pcs Joint O-ring, 10 pcs | | x | x | x | x | x | x | x | x | x | x | x | x | x | x | x | x | x | x | x | x | x | x | x | x | 1102867 |
| 122 | Wasserbecher kpl. Water cup cpl. Godet d'eau cpl. | | 1 | 1 | 1 | 1 | 1 | 1 | 1 | 1 | 1 | 1 | 1 | 1 | 1 | 1 | 1 | 1 | 1 | 1 | 1 | 1 | 1 | 1 | 1 | 1 | 1115542 |
| 123 | Ablaufbecher kpl. Drain cup cpl. Godet d'écoulement cpl. | | 1 | 1 | 1 | 1 | 1 | 1 | 1 | 1 | 1 | 1 | 1 | 1 | 1 | 1 | 1 | 1 | 1 | 1 | 1 | 1 | 1 | 1 | 1 | 1 | 1115534 |
| 124 | Dichtung Ablaufbecher Gasket drain cup Joint godet d'écoulement | | 1 | 1 | 1 | 1 | 1 | 1 | 1 | 1 | 1 | 1 | 1 | 1 | 1 | 1 | 1 | 1 | 1 | 1 | 1 | 1 | 1 | 1 | 1 | 1 | 2530424 |
| 125 | Ablaufstutzen kpl. Drain connection cpl. Manchon d'écoulement cpl. | | 1 | 1 | 1 | 1 | 1 | 1 | 1 | 1 | 1 | 1 | 1 | 1 | 1 | 1 | 1 | 1 | 1 | 1 | 1 | 1 | 1 | 1 | 1 | 1 | 1103890 |
| 126 | Schlauchklemmsset Hose clip set Set serre-joint de tuyau | | 1 | 1 | 1 | 1 | 1 | 1 | 1 | 1 | 1 | 1 | 1 | 1 | 1 | 1 | 1 | 1 | 1 | 1 | 1 | 1 | 1 | 1 | 1 | 1 | 1115548 |
| 127 | PEX-Schlauchgarnitur PEX hose Tuyau PEX | | 1 | 1 | 1 | 1 | 1 | 1 | 1 | 1 | 1 | 1 | 1 | 1 | 1 | 1 | 1 | 1 | 1 | 1 | 1 | 1 | 1 | 1 | 1 | 1 | 1103857 |
| 128 | Dampfzylinderhalterung Cylinder fixing Fixation du cylindre | ø 22 mm ø 30 mm ø 45 mm | 1 | 1 | 1 | | 1 | 1 | | | 1 | 1 | 1 | | | 1 | 1 | | | 1 | 1 | 1 | 1 | | | | 2530331 2530332 2530333 |
| 129 | Blende Bezel Bandeau | ø33/140 ø42/140 ø60/140 | 1 | 1 | 1 | | 1 | 1 | | | 1 | 1 | 1 | | | | | | | | | | | | | | 2530199 2530200 2530201 |
| 130 | Ausblasstutzen kpl. Steam outlet hose cpl. Manchon de vaporisation cpl. | ø22/ø30 ø30/ø30 ø42/ø45 | x | x | x | | x | x | | | | | | | | | | | | | | | | | | | 2530206 2530207 2530208 |
| 131 | Dampfschlauchanschluss kpl. Steam hose connection cpl. Raccord tuyau de vapeur cpl. | SC22 SC60 SC80 | x | x | x | | x | x | | | | | | | | | | | | | | | | | | | 2529363 2529364 2529365 |
| 132 | Dampfschlauchanschluss Steam hose connection Raccord tuyau de vapeur | ø 22 mm ø 30 mm ø 45 mm | x | x | x | | x | x | | | | | | | | | | | | | | | | | | | 2530448 2530449 2530450 |
| 133 | Dampfschlauch DS22 (ø29/22mm) Steam hose DS22 (ø29/22mm) Tuyau de vapeur DS22 (ø29/22mm) | L=2m L=3m L=4m | x | x | x | | | | | | | | | | | | | | | | | | | | | | 2521792 2521793 2521794 |
| | Dampfschlauch DS60 (ø40/30mm) Steam hose DS60 (ø40/30mm) Tuyau de vapeur DS60 (ø40/30mm) | L=2m L=3m L=4m | | | | | x | x | | | | | | | | | | | | | | | | | | | 2521796 2521797 2521798 |
| | Dampfschlauch DS80 (ø54/45mm) Steam hose DS80 (ø54/45mm) Tuyau de vapeur DS80 (ø54/45mm) | L=2m L=3m L=4m L=5m L=6m | | | | | | | | x | x | x | x | x | | | | | | | | | | | | | 2521799 2521800 2521801 2521802 2521804 |
| --- | Kondensatschlauch (ø12/8mm) Condensate hose (ø12/8mm) Tuyau de condensat (ø12/8mm) | L=2m L=3m L=4m L=5m L=6m | x | x | x | x | x | x | x | x | x | x | x | x | x | x | x | x | x | x | x | x | x | x | x | x | 2521787 2521788 2521789 2521790 2521791 |
| 140 | Verschluss kpl., 2 Stk. Door lock cpl., 2 pcs Fermeture cpl., 2 pcs | | 1 | 1 | 1 | 1 | 1 | 1 | 1 | 1 | 1 | 1 | 1 | 1 | 1 | 1 | 1 | 1 | 1 | 1 | 1 | 1 | 1 | 1 | 1 | 1 | 2530425 |
| 141* | Gehäusetüre Housing door Porte du boîtier | Standard Standard INOX INOX | 1 | 1 | 1 | 1 | 1 | | | 1 | 1 | 1 | 1 | | | | | | | | | | | | | | 2526147 2526148 2526208 2526210 |
| --- | Gehäusetüre ohne Displayausschnitt (B-Gerät) Housing doorwithout display cutout (Unit B) Porte du boîtier sans découpe affichage (Appareil B) | Standard INOX | | | | | | | | | | | | | | | | | | | | | | | | | 2526149 2526211 |
| 142 | Montage-Profil Mounting profile Support mural | | x | x | x | x | x | x | x | x | x | x | x | x | x | x | x | x | x | x | x | x | x | x | x | x | 2529544 |
| --- | Kabel Steuerelektronik -> Leistungsprint Cable control PCB -> power board Câble unité de commande -> platine de puissance | | 1 | 1 | 1 | 1 | 1 | 1 | 1 | 1 | 1 | 1 | 1 | 1 | 1 | 1 | 1 | 1 | 1 | 1 | 1 | 1 | 1 | 1 | 1 | 1 | 2530238 |
| --- | Kabel Ventil & Pumpe Cable valve & pump Câble vanne & pompe | | 1 | 1 | 1 | 1 | 1 | | | | | | | | | | | | | | | | | | | | 2530239 2530240 |

* Lieferfrist ca. 6 Wochen / delivery time approx. 6 weeks / délai de livraison approx. 6 semaines

| Pos | Artikel/Article/Article | Heizspannung Heating voltage Tension de chauffage | Basic | | | | | | | | Pro | | | | | | | | Art./SAP-No. | | | |
|-----|--|---|---------|---------|---------|---------|---------|---------|---------|---------|---------|---------|---------|---------|---------|---------|---------|---------|--------------|-------|--|---|
| | | | 230V/1~ | 230V/3~ | 400V/3~ | 230V/3~ | 400V/3~ | 230V/3~ | 400V/3~ | 230V/3~ | 400V/3~ | 230V/1~ | 230V/3~ | 400V/3~ | 230V/3~ | 400V/3~ | 230V/3~ | 400V/3~ | | | | |
| | | | 5-8 | 5-8 | 5-8 | 9-15 | 9-15 | 16-21 | 16-25 | 22-30 | 26-45 | 5-8 | 5-8 | 5-8 | 9-15 | 9-15 | 16-21 | 16-25 | | 22-30 | 26-45 | |
| --- | Verbindungskabel (zwischen Gerät A und B) Connecting cable (between unit A and B) Câble de connexion (entre appareil A et B) | 1.5m | | | | | | | | | | | | | | | | | | | 2530335 | |
| --- | Buskabel (zwischen Main und Extension) Bus cable (between Main and Extension) Câble bus (entre Main et Extension) | 10m 20m | | | | | | | | | | | | | | | | | | | 1119115 1119116 | |
| --- | Sicherung, 3 Stk. Fuse, 3 pcs Fusible, 3 pcs | 200mA F 6.3A T 100mA T | x | x | x | x | x | x | x | x | x | x | x | x | x | x | x | x | x | x | 2536024 2536025 2543802 | |
| 200 | Sensorstecker mit Kabel Sensor plug with cable Fiche de connexion du senseur avec câble | ø 5mm | 1 | 1 | 1 | 1 | 1 | 1 | 1 | 1 | 1 | 1 | 1 | 1 | 1 | 1 | 1 | 1 | 1 | 1 | 1115822 | |
| 201 | Kabelbaum kpl. Cable tree cpl. Faisceau de câble cpl. | | 1 | | 1 | | 1 | | 1 | 1 | | 1 | | 1 | | 1 | | 1 | 1 | | 2530830 2530098 2530099 2530100 2530102 2530103 | |
| 202 | Dampfzylinderstecker, 3 Stk. Cylinder plug, 3 pcs. Fiche de connexion du cylindre, 3 pcs. | ø 5mm ø 6mm | 1 | 1 | 1 | 1 | | 1 | 2 | 2 | 2 | 2 | | 1 | 1 | 1 | 1 | 1 | 2 | 2 | 2 | 1102495 1101868 |
| 203 | Klammern zu reinigbarem Dampfzylinder, 4 Stk. Clip to cleanable steam cylinder, 4 pcs. Clip pour cyl. à vapeur nettoyyable, pcs. | | x | x | x | x | x | x | x | x | x | x | x | x | x | x | x | x | x | x | x | 1115790 |
| 204 | O-Ring zu reinigbarem Dampfzylinder O-ring seal to cleanable steam cylinder O-ring pour cylindre à vapeur nettoyyable | D301 D401 D601 | x | x | x | | x | x | | | | | | x | x | x | | x | x | x | x | 1115787 1115788 1115789 |
| 205 | Dichtungsring zu reinigbarem Dampfzylinder, 4 Stk. Seal ring to cleanable steam cylinder, 4 pcs. Joint ring pour cylindre à vapeur nettoyyable, 4 pcs. | | | x | x | x | x | x | x | x | x | x | | x | x | x | x | x | x | x | x | 1102225 |
| 206 | Elektroden-Set (ohne Schikane) Set electrodes (without divider) Set electrodes (sans chicane de separation) | E342 (D342) E343 (D343/363) E444 (D444/464) E644 (D644/664) E654 (D654/674) | 1 | | 1 | 1 | | 1 | 1 | | 1 | 1 | | 1 | 1 | | 1 | 1 | | 1 | 1 | 1115779 1115780 1115781 1115782 1115783 |
| 207 | Schikanen zu reinigbarem Dampfzylinder Divider to cleanable steam cylinder Chicane de séparation pour cylindre à vapeur nettoyyable | D363 D464 D664/674 | | | x | | | x | | | x | | | x | | | x | | x | | x | 1115784 1115785 1115786 |
| 208 | Sieb zu reinigbarem Dampfzylinder Strainer to cleanable steam cylinder Filtre de séparation pour cylindre à vapeur nettoyyable | 3-600 | x | x | x | x | x | x | x | x | x | x | x | x | x | x | x | x | x | x | x | 1106695 |
| 209 | Austauschzylinder Exchange cylinder Cylindre à échanger | A342 A343 A363 A444 A464 A644 A654 A664 A674 | 1 | 1 | | 1 | | 1 | | | | | | 1 | | 1 | | | | 1 | 1 | 5020006 5020007 5020010 5020012 5020014 5020021 5020022 5020024 5020025 |
| 210 | Reinigbare Zylinder mit Elektroden Cleanable steam cylinder with electrodes Cylindre nettoyyable avec électrodes | D342 D343 D363 D444 D464 D644 D654 D664 D674 | x | x | | x | | x | | | x | | | x | | x | | | x | | x | 5020032 5020033 5020036 5020037 5020038 5020039 5020040 5020041 5020042 |
| 211 | Reinigbarer Dampfzylinder (leer) Cleanable steam cylinder (empty) Cylindre à vapeur nettoyyable (vide) | D301 D401 D601 | x | x | x | | x | x | | x | x | x | | x | x | | x | x | x | x | x | 1115776 1115777 1115778 |







australian distributor

aireven Pty Ltd
Unit 3, 45 Leighton Place, Hornsby, NSW 2077
T | (02) 9987 2006
www.aireven.com.au

